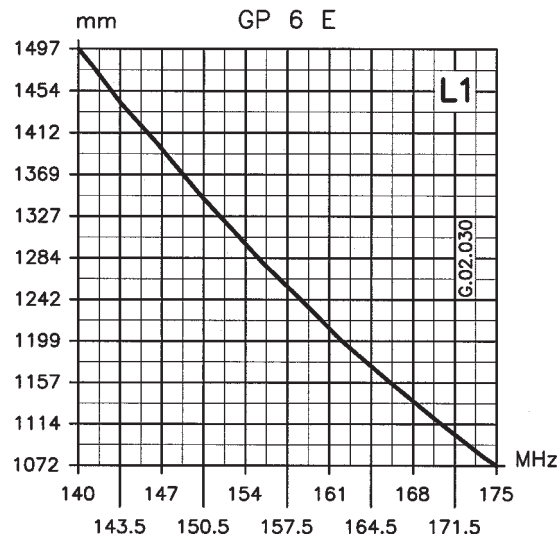
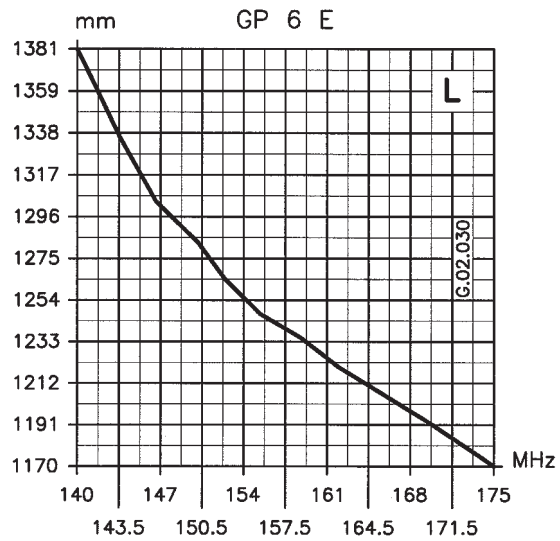


TYPICAL TUNING DIAGRAMS



NOTE:

- It is recommended to use the curves as a guide and fine-tune using an SWR-Meter.

Model GP 6-E
VHF Base Station Antenna 140-175 MHz



Installation Manual

DESCRIPTION

2x5/8 λ Ground Plane base station colinear antenna for land and marine service. It works on the frequency range of 140-175 MHz by using the cutting diagram enclosed. The matching coil is DC feeded for a perfect protection from the static discharges. GP 6-E is made of non-corrosive aluminium and assembled on a very strong base of die-cast metal to get the maximum robustness and the best performance. Tuning is easy by following the attached directions.

SPECIFICATIONS

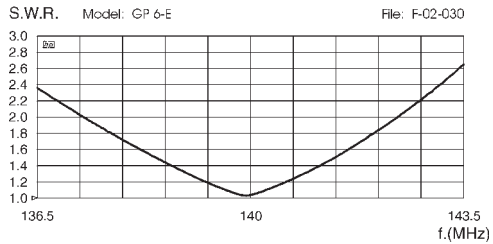
Electrical Data

Type	:	2x5/8 λ Colinear Ground Plane
Frequency Range	:	140-175 MHz tunable by cutting
Impedance	:	50 Ω Unbalanced
Radiation (H-plane)	:	360° Omnidirectional
Radiation (E-plane)	:	Beamwidth at -3 dB = 30°
Radiation angle deg.	:	3.6°
Polarization	:	Vertical
Gain	:	3.8 dBd - 5.95 dBi
Bandwidth at V.S.W.R. 2:1	:	5.2 MHz at 140 MHz
V.S.W.R. at res. freq.	:	≤ 1.2 : 1 at 140 MHz
Max Power	:	200 Watts
Feed System / Position	:	Transformer DC-Ground / Base
Connection	:	UHF Female

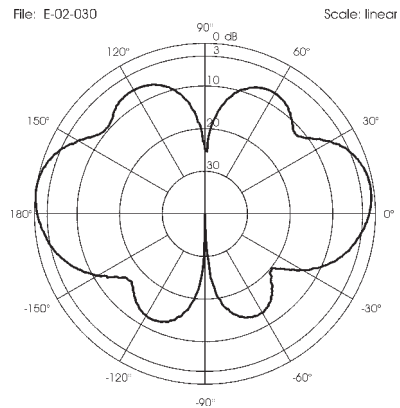
Mechanical Data

Materials	:	Aluminium, Chromed Brass, Nylon
Wind Load / Resistance	:	46 N at 150 Km/h / 120 Km/h
Wind Surface	:	0.04 m ²
Height (approx.)	:	3060 mm
Weight (approx.)	:	750 gr
Mounting Mast	:	Ø 25-30 mm

TYPICAL S.W.R. RESPONSE



TYPICAL RADIATION PATTERN in E-plane at 145 MHz



MOUNTING INSTRUCTIONS

