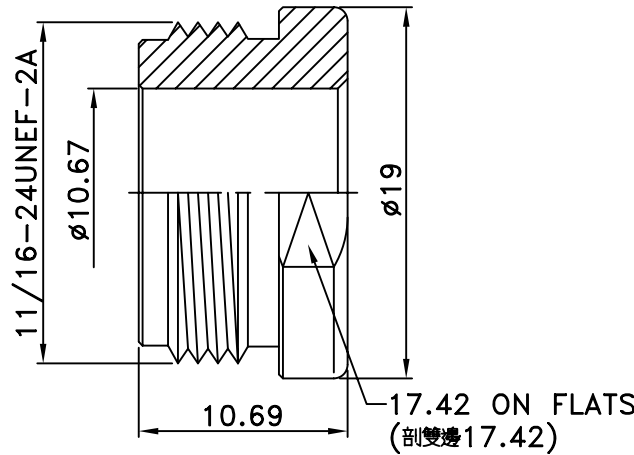
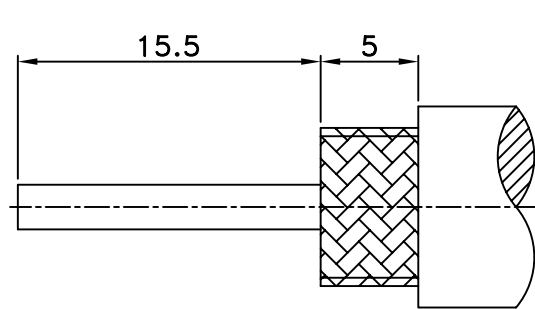
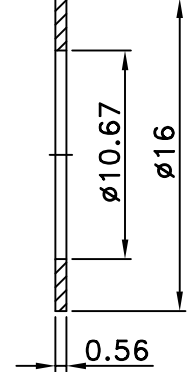
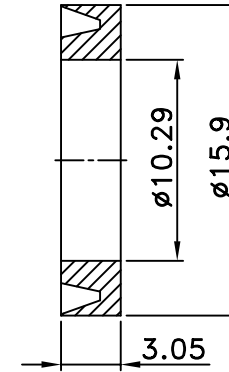
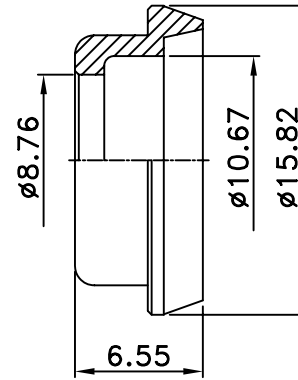
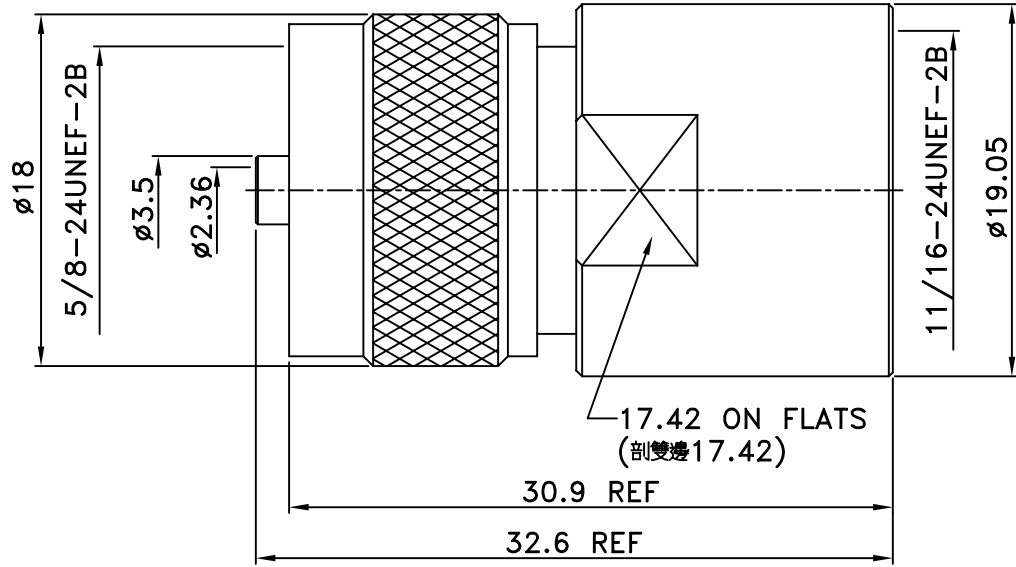


EDITION	DESCRIPTION	DRAWN	DATE

Impedance: Non-constant
Frequency Range: 0-200MHz
VSWR: 1.3 max
Voltage: 500 VRMS



9	Back nut	1	Brass	Silver
8	Washer	1	Brass	Silver
7	Gasket	1	Si-rubber	Oranger
6	Clamp	1	Brass	Silver
5	Shell	1	Brass	Silver
4	Retaining ring	1	Brass	Silver
3	Dielectric	1	Teflon	None
2	Pin	1	Brass	Gold
1	Body	1	Brass	Silver
NO	Description	Q'ty	Material	Finish

Moonraker (UK) Limited

TITLE UHF CLAMP PLUG FOR RG213U

CHECKED J. Lin

Edit Code. CR-UHF-17032-B-TGS

DRAWER Eddie

FILE NO. D:\

EDITION: A DATE 11/26/10

TOLERANCES
DIMENSIONS ARE IN MILLIMETER

UNLESS OTHERWISE NOTED TOLERANCES
0.5-6=±0.2
6-30=±0.4
30-120=±0.6
120-315=±1.0
ANGLES=±1°

SCALE 5/2 UNIT MM